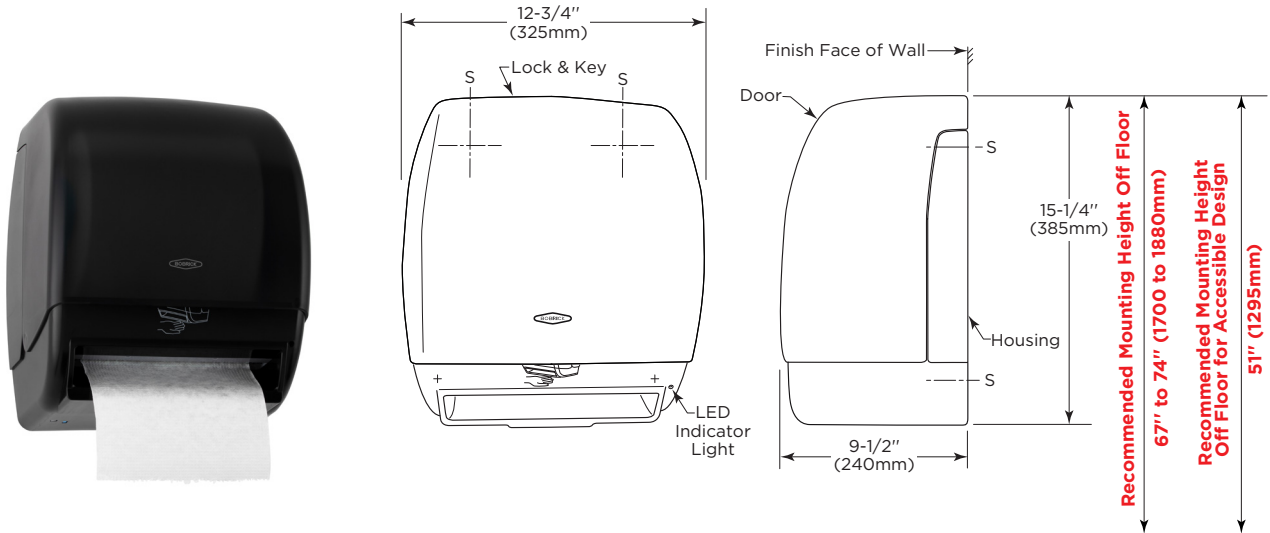




Technical Data

AUTOMATIC ROLL PAPER TOWEL DISPENSER

B-72974



MATERIALS:

Door and Housing — Durable, high-impact resin. Dark translucent door is secured to black housing, keyed lock at top. Door may be opened with removable key provided.

Roll Paper Towel Mechanism — Accepts universal standard-core, non-perforated rolls 8" (205mm) wide, 8" (205mm) diameter, 800 ft (244 m) long. Dispenses one towel per activation and can be set to dispense paper towels at three different lengths. Accommodates up to 3-1/2" (90mm) diameter stub roll with automatic transfer to full roll.

OPERATION:

Electronic sensor automatically dispenses towel when hands are placed under the towel opening. Dispenses universal, 1-1/2" to 2" (38 to 51mm) diameter core, up to 8" (205mm) diameter, 8" (205mm) wide, non-perforated, non-proprietary rolls. Towel length can be set to 9" (230mm), 12" (305mm), 15" (380mm). Optional "Paper Saver" feature allows a shorter second sheet to dispense immediately after the first sheet. The "Paper Saver" feature has two second sheet length options: 25% shorter sheet length or 12.5% shorter sheet length. Dispense delay can be set to 1, 2 or 3 seconds. There is no delay when "Paper Saver" option is selected. Red LED indicator light, located at the right, top corner of the paper chute will continuously flash once every 1.5 seconds when the batteries need replacement. The battery pack holds 4 "D" sized alkaline batteries (not furnished). Dispenser includes a 3-1/2" (90mm) diameter stub roll feature. When the stub roll is depleted, main roll automatically starts dispensing without the need to open the dispenser.

POWER REQUIREMENTS:

Dispenser is powered by 4, "D" size alkaline batteries (not furnished) or an external 6-volt AC to DC switching power supply. Power supply is an optional accessory: order Bobrick Part No. 3974-57. (For non-U.S. compatible plugs, order Part No. 3974-55).

INSTALLATION:

Mount the dispenser with bottom edge of the cabinet approximately 52" (1320mm) above the floor. Use at least two pan-head screws no smaller than #8 x 1.0 inch. The installer must ensure compatible and appropriate mounting hardware is used for the wall surface composition that the dispenser is being mounted upon. The dispenser with batteries weighs 6.3 pounds (2.86 kg). Electrical supply for use with 6-volt AC to DC power supply must be installed per applicable building codes.

SPECIFICATION:

Surface-Mounted Automatic roll paper towel dispenser shall be durable, high impact plastic material. Dark translucent door is secured to black housing, keyed lock at top. Door may be opened with removable key provided. No-touch dispenser dispenses universal, 1-1/2" to 2" (38 to 51mm) diameter core, up to 8" (205mm) diameter, 8" (205mm) wide, non-perforated, non-proprietary rolls, up to 800 ft (244 m) long. Dispenser automatically dispenses towel when hands are placed under the towel opening. Dispenser can be powered by 4 "D" size alkaline batteries or an optional 6-volt AC to DC power supply. Equipped with switches that allow paper length to be set at 9" (230mm), 12" (305mm) or 15" (380mm), delay that can be set at 1, 2 or 3 seconds, and "Paper Saver" feature that provides a shorter second sheet with options of 25% shorter and 12.5% shorter. Blinking LED indicates if batteries need to be replaced. Automatic transfer shall dispense stub roll up to 3-1/2" (90mm) diameter before new roll is dispensed.

Automatic Roll Paper Towel Dispenser shall be Model B-72974 of Bobrick Washroom Equipment, Inc., Clifton Park, New York; Jackson, Tennessee; Los Angeles, California; Bobrick Washroom Equipment Company, Scarborough, Ontario; Bobrick Washroom Equipment Pty. Ltd., Australia; and Bobrick Washroom Equipment Limited, United Kingdom.